

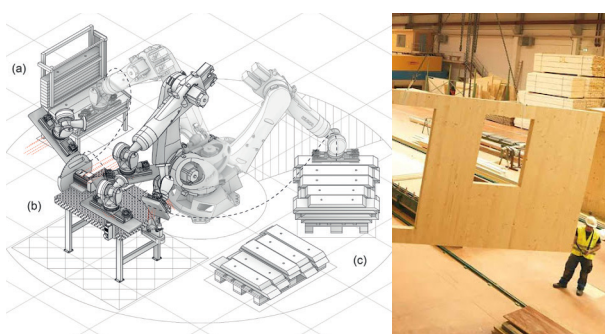
# 5.5.2 Technik & Nachhaltigkeit

## Robotic Recycling

Fakultät für Architektur und Bauwesen

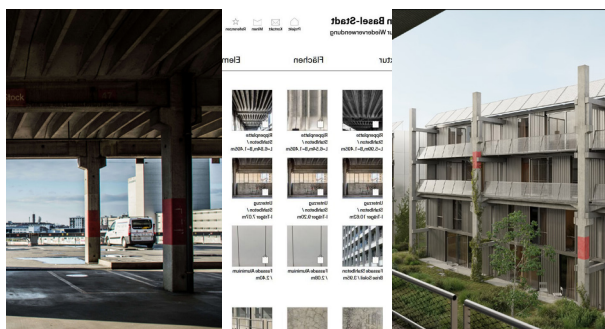
Prof. Dr. Christopher Robeller  
Karl Ahlund  
WS 2024/2025  
2 SWS 3 ECTS

The current approach of our built environment is focused on the demolition of existing structures and replacing them with new buildings using new materials. This lack of a reusability ideology is driving climate change, and the acquisition of new material is fundamentally non-sustainable.



THA - TTZ Aichach laboratory setup / CLT Factory

This elective course aims to introduce digital tools and ideas of material reuse of CLT waste material in the design of a small structure. Through these material limitations we accept fundamental problems of working with non-standardized dimensions in our designs. We will learn to utilize advanced digital fabrication techniques as well as develop details usable in complex timber structures. Historically, material was almost always reused due to its high procurement cost relative to low human cost; now that has flipped. Our goal is to show how the architectural profession can reintroduce and adjust design ideas to the post-digital world.



Zirkular - Component catalog Real Estate Basel-Stadt