

NUCLEO-XXXXRX

MB1136

Table of contents

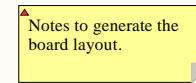
- Sheet 1: Project overview (this page)
- Sheet 2: Top & Power
- Sheet 3: MCU
- Sheet 4: STLINK/V2-1
- Sheet 5: Extension connectors

Legend

General comment such as function title, configuration, ...

Text to be added to silkscreen.

Warning text.



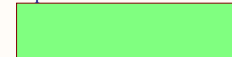
Open Platform License Agreement

The Open Platform License Agreement (“Agreement”) is a binding legal contract between you (“You”) and STMicroelectronics International N.V. (“ST”), a company incorporated under the laws of the Netherlands acting for the purpose of this Agreement through its Swiss branch 39, Chemin du Champ des Filles, 1228 Plan-les-Ouates, Geneva, Switzerland.

By using the enclosed reference designs, schematics, PC board layouts, and documentation, in hardcopy or CAD tool file format (collectively, the “Reference Material”), You are agreeing to be bound by the terms and conditions of this Agreement. Do not use the Reference Material until You have read and agreed to this Agreement terms and conditions. The use of the Reference Material automatically implies the acceptance of the Agreement terms and conditions.

The complete Open Platform License Agreement can be found on www.st.com/opla.

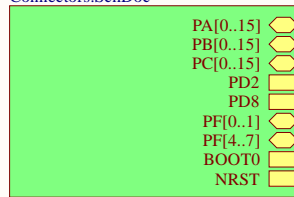
U_Top
Top.SchDoc



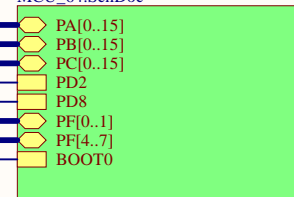
Title: Project Overview		
Project: NUCLEO-XXXXRX		
Variant: [No Variations]		
Revision: C-05		Reference: MB1136
Size: A4	Date: 17-AUG-2022	Sheet: 1 of 5



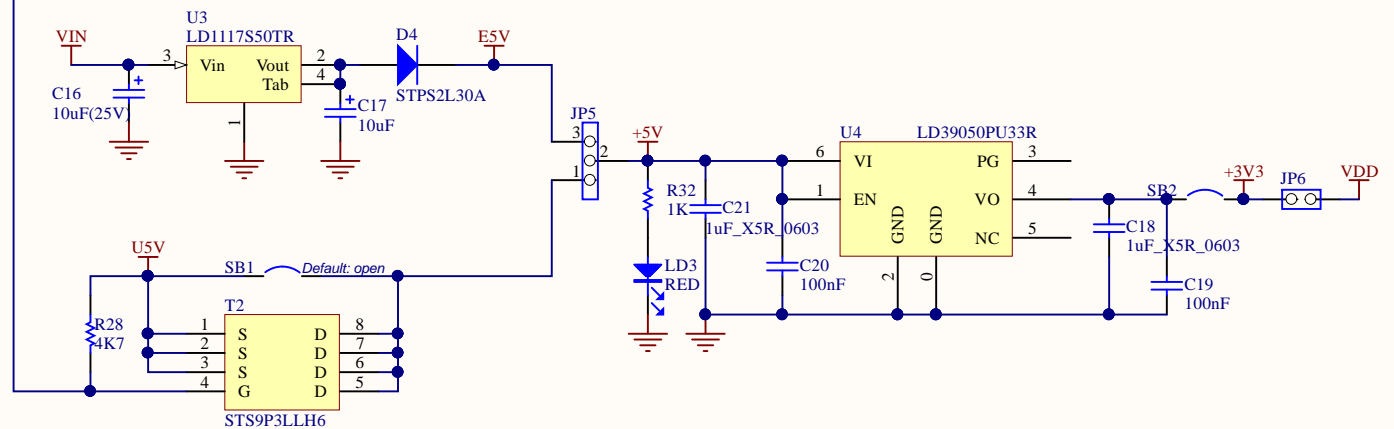
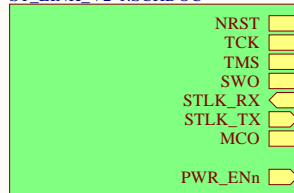
U_Connectors
Connectors.SchDoc

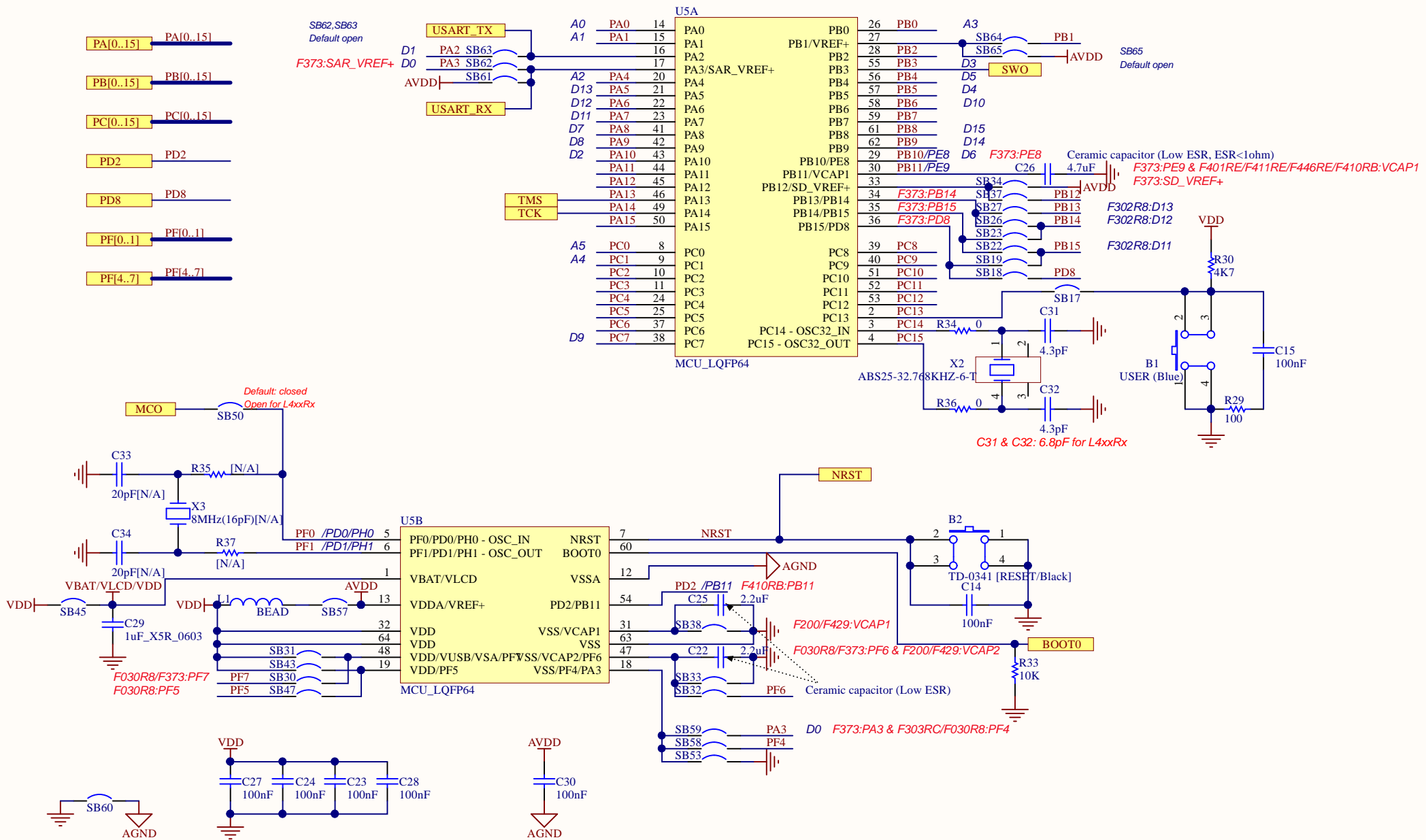


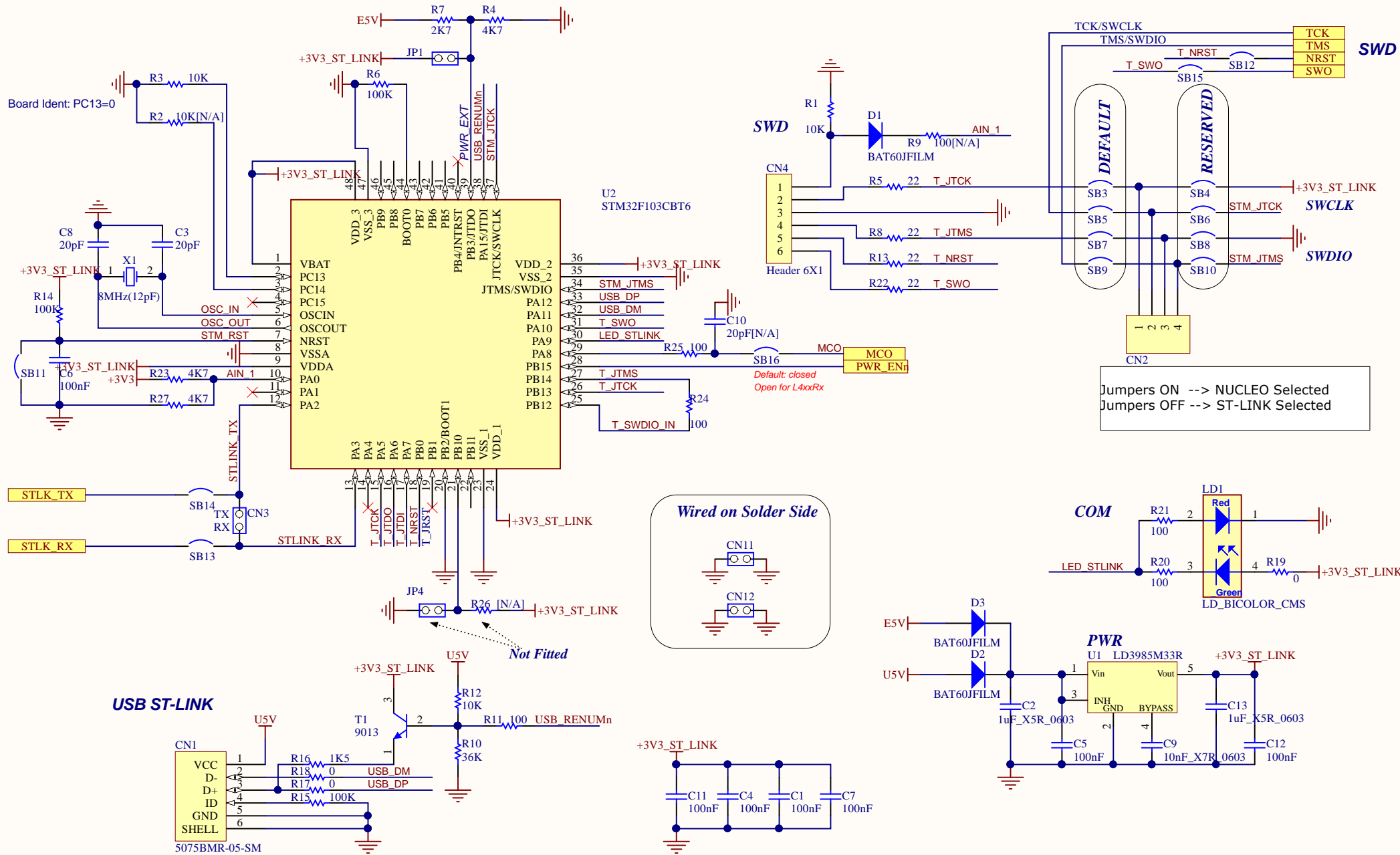
U_MCU_64
MCU_64.SchDoc



U_ST_LINK_V2-1
ST_LINK_V2-1.SCHDOC



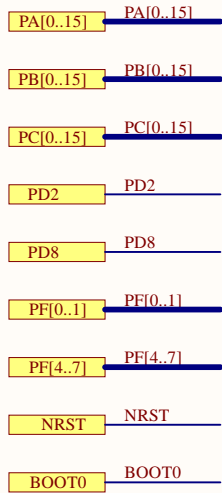




Jumpers ON --> NUCLEO Selected
 Jumpers OFF --> ST-LINK Selected

Title: STLINK/V2-1	
Project: NUCLEO-XXXXRX	
Variant: [No Variations]	
Revision: C-05	Reference: MBI136
Size: A4	Date: 17-AUG-2022
	Sheet: 4 of 5





SB55: Default open
Closed for L4xxRx

PD0/PH0/PF0
PD1/PH1/PF1

